
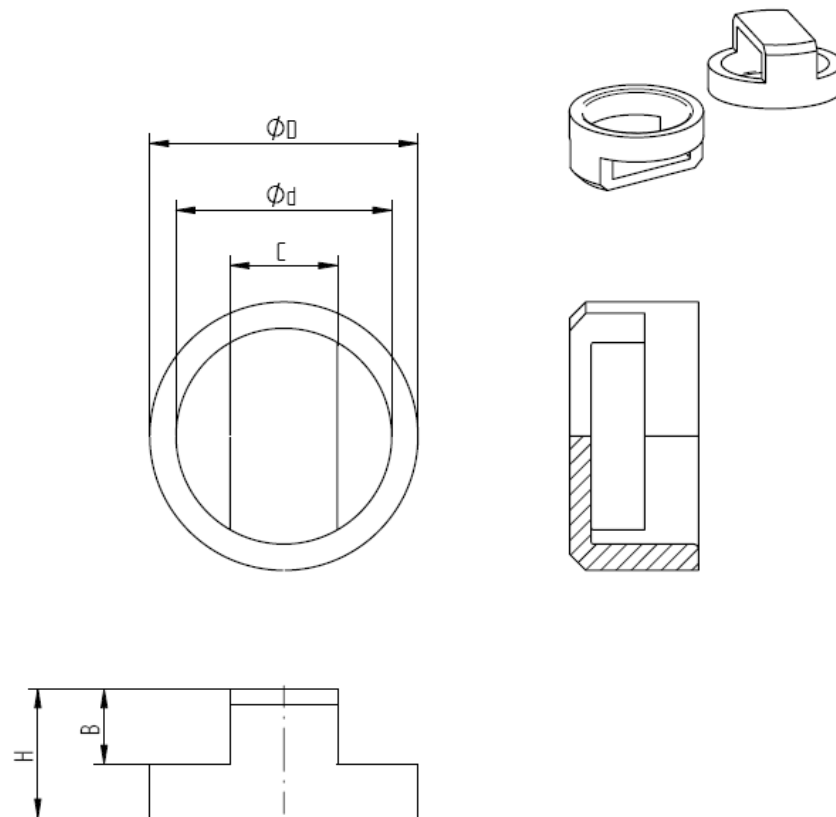


53112696	<b>DATA SHEET</b>	
Valid from: 03.07.2018	<b>SKINTOP® CLICK DISASSEMBLY TOOL</b>	

## SKINTOP® CLICK DISASSEMBLY TOOL



**Material:** Glass fibre reinforced polyamide

Size	B	C	H	$\phi D$	$\phi d$	Part. No.
$\phi 12$	7	4	12	16	12,1	53112696
$\phi 16$	7	5	12	20	16,1	53112697
$\phi 20$	7	7	12	25	20,1	53112698
$\phi 25$	7	10	12	30	25,1	53112699
$\phi 32$	7	12	12	37	32,1	53112797

For more information please see our current catalogue. Please do not hesitate to contact our laboratory if there are any questions regarding resistance against aggressive agents and special oil.

Creator: PDP Released: DAMU1/PDP	Document: DB53112696EN Version: 02	Page 1 of 1
-------------------------------------	---------------------------------------	-------------